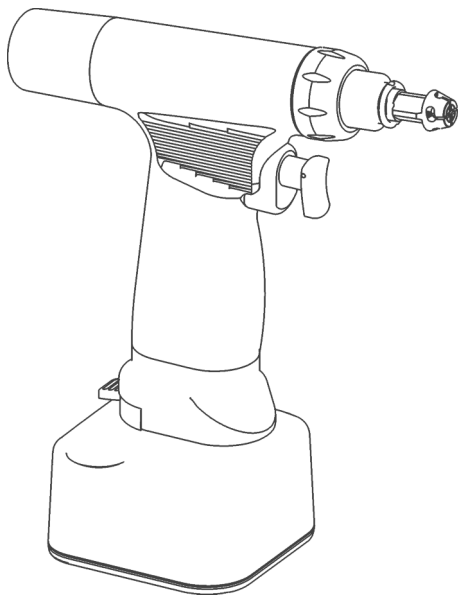




**BUSA**<sup>®</sup>  
SURGICAL POWER & ACCESSORIES



**BSP MAX<sup>™</sup> II**

**RECIPROCATOR/  
STERNUM SAW**

**PM-X14-700**

*Instructions for Use*



# Table of Contents

---

Introduction	Page 4
Intended Use	Page 4
Warnings	Page 4
Cautions	Page 6
Explanation of Symbols	Page 7
Features	Page 8
Battery Pack - Installation & Removal	Page 9
Saw Blade - Installation & Removal	Page 10
Sternum Saw Guard - Installation & Removal	Page 11
Handpiece Operation	Page 12
Troubleshooting	Page 13
Care and Maintenance	Page 15
Cleaning Recommendations	Page 16
Sterilization Recommendations	Page 17
Specifications	Page 19
Repair Service	Page 25
Warranty	Page 26
Return Goods Policy	Page 27
Product Disposal	Page 28
Product Ordering Information	Page 28

## Introduction

---

Thank you for choosing BUSA® Surgical Power & Accessories as supplier of your large bone power system.

The information and procedures described in this manual are intended to assist medical professionals in the safe and effective use, care, cleaning, sterilization and long-term maintenance of BSPMAX™ II Large Bone Power System.

## Intended Use

---

The BSPMAX™ II handpieces are designed for surgical applications in: Orthopaedics, Total Joint Reconstruction, Osteotomies, Trauma and Thoracic.

The BSPMAX™ II Reciprocator/Sternum Saw, PM-X14-700, along with a sternum guard attachment is designed for cutting bone and bone related tissue in most common large bone orthopaedic surgical procedures.

## Warnings

---

- Only trained and experienced medical professionals should use this equipment. Failure to comply with the BSPMAX™ II Instructions for Use may result in patient and/or medical staff injury.
- Use of eye protection is required while operating equipment.
- To prevent accidental activation of the handpiece, the trigger should always be in the SAFE mode when attachment, battery pack and cutting accessory (saw blade) are being installed or removed.
- To ensure safety and optimum performance, use BUSA® Surgical Power & Accessories cutting accessories (saw blades).
- Before each use, test the equipment and inspect each device (handpiece and accessory) for damage. Do not use any device if damage or malfunctioning is apparent. Return device for service.
- Continually check handpiece for excessive heat. If overheating is noticed, discontinue use and return device for service.

## Warnings (continued)

---

- Clean and sterilize handpieces, attachments, battery packs and accessories before every use.
- Perform recommended preventive maintenance as indicated in the Care and Maintenance section.
- Do not sterilize 4-Bay Power Unit, Charging Bay Cover and Charging Bay.
- DANGER - Explosion Hazard. DO NOT use in atmospheres containing flammable gasses (anesthetics, etc) with concentrations within explosive limits.
- DO NOT expose battery packs to fire or incineration.
- DO NOT allow battery pack contacts to contact metal objects. Contact with metal objects may result in an electrical shock or a burn injury to the user.
- DO NOT install or remove attachment or cutting accessory while the handpiece is operating. Always place the handpiece in the SAFE mode while the handpiece is idle, before installing or removing attachment or cutting accessory (saw blades), or when passing the handpiece to another person.
- DO NOT apply excessive force on a cutting accessory (drill, pin, wire and reamer) when installed in the handpiece, such as bending or prying. Using excessive force may damage the device or cutting accessory and may cause injury to patient and/or user.
- DO NOT reuse single use products. Failure to comply may result in patient and/or health care staff injury.
- Inspect saw blades for damage before each use. Do not attempt to straighten or sharpen.
- Install and place the handpiece into service according to the EMC information in this manual. Portable and Mobile RF communications equipment can affect the function of the handpiece.
- Under certain classifications of risk, the World Health Organization (WHO), or local regulatory authorities recommend special CJD (Creutzfeldt-Jakob Disease) inactivation processing procedures. Consult WHO and local regulations for further information.

## Cautions

---

- Handpieces are factory sealed. Do not disassemble or lubricate handpieces, as this may void warranty. There are no service requirements expected of the medical or bio-med staff.
- DO NOT stall the handpiece, stalling may damage electrical and/or mechanical components. If the handpiece jams, release the trigger immediately and remove any obstructions before continuing.
- DO NOT use handpieces or battery packs while warm. Allow adequate time for cooling prior to use. Do not immerse in liquid or cover hand piece with a damp cloth to cool. Cool by exposure to room temperature.
- DO NOT store battery packs on handpieces. Batteries will discharge if they are connected to the handpiece even though the handpiece is not running.
- Handpiece with attachment and or accessory may cause vibration and fatigue if duty cycle is exceeded.
- Prior to each use, perform the following:
  - Inspect all devices for proper set up and operation.
  - Ensure the battery pack installs properly onto the handpiece.
  - Ensure the saw blade installs properly.
  - Ensure there are no loose or missing components.
  - Ensure there are no cracks in the battery pack case.
  - Remove blade then test the handpiece and battery pack to ensure that they are working properly.
  - Check all moving parts for free movement.
  - Check for unusual sounds or vibrations.
  - Check for proper operating speed.
  - Check for rapid temperature rise or unacceptable heat with handpiece.
- After each use, perform the following:
  - Remove battery pack from handpiece. If battery is not removed, the charge will be depleted and irreparable damage to battery cells may occur.
  - Thoroughly clean and disinfect all devices.
  - Sterilize handpiece and attachment.

# Explanation of Symbols

---



*Authorized representative in the European community.*



*Do not immerse.*



*Catalog number.*



*Interference.*



*Caution.*



*Manufacturer.*



*Conforms with the essential requirements of the European community directives with Brasseler USA Medical's notified body.*



*Serial Number.*



*Date of manufacture.*



*Steam sterilizable.*



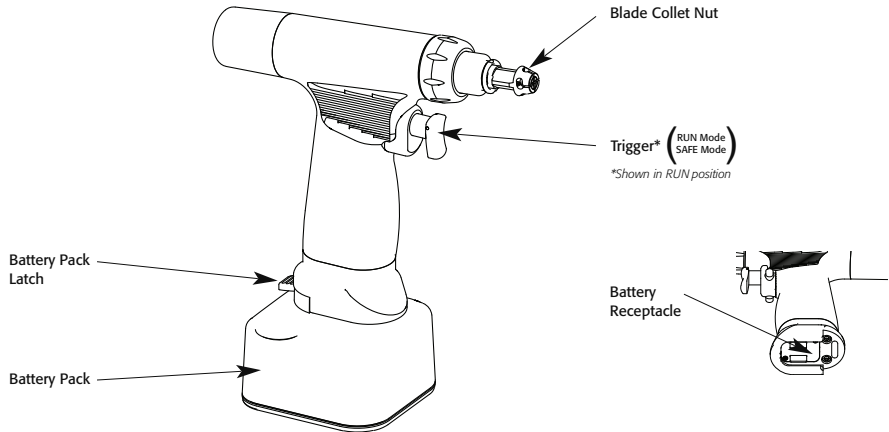
*Do not discard. Dispose of product or recycle in accordance with local laws and regulations.*



*Temperature limit.*

## Features

---



- **Battery Pack** - Rechargeable sterilizable battery pack provides power to the handpiece.
- **Battery Pack Latch** – Secures the battery pack to the handpiece. Depress the battery latch to release the battery pack from the handpiece.
- **Battery Receptacle** – Battery pack connecting location.
- **Blade Collet Nut** – The rotation of the spring loaded blade collet nut allows for saw blade hub insertion, locking and removal from the handpiece. The saw blade may be positioned in four different positions at 90 degree increments for the desired cutting position.
- **Trigger** – Pressure sensitive switch for variable speed operation.
  - (RUN Mode) – Rotate the trigger to the vertical position. Depress trigger to operate handpiece.
  - (SAFE Mode) – Rotate the trigger to the horizontal position. Trigger cannot be depressed to activate the handpiece.



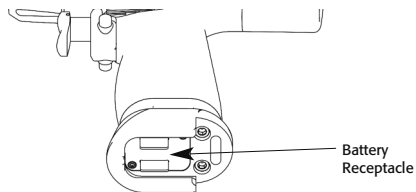
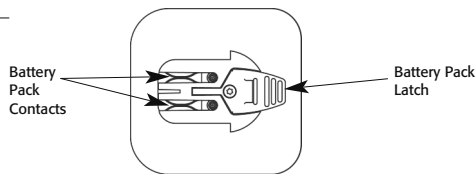
## Battery Pack - Installation & Removal

---

### *Battery Pack Installation:*

---

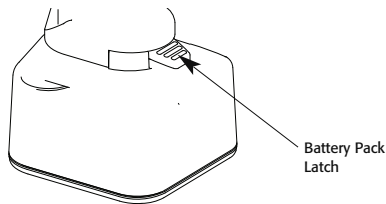
- Rotate trigger to the SAFE mode.
- Align the battery pack contacts on the top of the battery pack with the battery receptacle on the handpiece.
- Slide a battery pack into the battery receptacle until the battery pack latch snaps indicating the battery pack is secure.
- Rotate trigger to the RUN mode.
- Test the handpiece and battery pack by depressing the trigger.
- Rotate trigger to the SAFE mode when not in operation.



### *Battery Pack Removal:*

---

- Rotate trigger to the SAFE mode.
- Press down on the battery pack latch and slide battery pack out of the handpiece.
- Always remove battery pack when not in use.



## Saw Blade - Installation & Removal

---

### *Saw Blade Installation:*

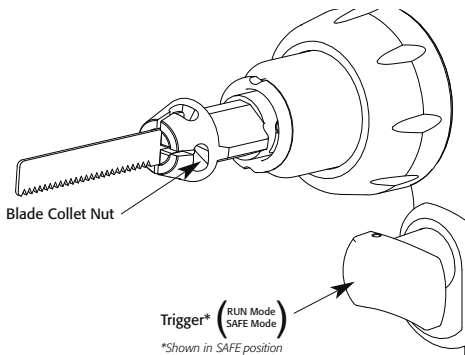
---

- Rotate trigger to the SAFE mode.
- Rotate the blade collet nut and hold in open position.
- Insert the saw blade hub fully into the desired cutting position.
- Release the blade collet nut. Nut should return to original position.
- Tug firmly on the saw blade to ensure it is installed properly and will not pull out.

### *Saw Blade Removal:*

---

- Rotate trigger to the SAFE mode.
- Rotate the blade collet nut and hold in open position.
- Slide saw blade out.



# Sternum Saw Guard - Installation & Removal

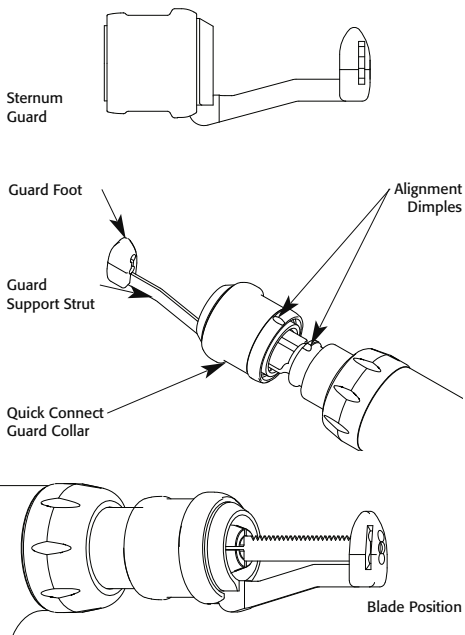
## PM-X14-901:

### Sternum Saw Guard Installation:

- Rotate trigger to the SAFE mode.
- Install saw blade per instructions in the Saw Blade – Installation and Removal section.
- Retract the guard's quick connect collar toward guard foot.
- Align the dimple on the sternum saw guard with the dimple on the Reciprocating Saw.
- Slide the sternum saw guard over the sternum saw blade. Ensure that the guard's support strut is behind the smooth side of the sternum saw blade, and distal end of saw blade is inserted properly into the guard's foot.
- Release quick connect collar.
- Tug firmly on the sternum saw guard to ensure it is installed properly and will not pull off the handpiece.

### Sternum Saw Guard Removal:

- Rotate trigger to the SAFE mode.
- Retract the guard's quick connect collar toward guard foot and remove guard.



## Handpiece Operation

---

- Rotate trigger to the SAFE mode.
- Install battery pack, saw blade and sternum saw guard (if required).
- Rotate trigger to the RUN mode.
- Depress trigger to operate the handpiece.
- If power loss occurs during use, replace the battery pack with a fully charged sterilized battery pack.
- Rotate trigger to the SAFE mode when not in operation.

### *Warning:*

---

- Irrigation is required during resection in order to prevent heat buildup which could cause bone necrosis.

# Troubleshooting

## Reciprocator/Sternum Saw – PM-X14-700

Symptom	Potential Cause	Solution
Handpiece does not start.	Trigger is in safe mode.	Rotate trigger to run mode.
	Battery pack is not installed.	Install battery pack.
	Battery pack is not installed fully.	Remove and reinstall battery pack.
	Battery pack is discharged.	Charge battery pack.
	Trigger is activated too slowly.	Increase activation rate.
	Handpiece has electrical/mechanical malfunction.	Send handpiece to Brasseler U.S.A. Medical, LLC, for service.
Handpiece lacks power.	Battery pack is discharged.	Charge battery pack.
	Battery pack is malfunctioning.	Replace battery pack.
	Variable speed throttle is out of adjustment.	Send handpiece to Brasseler U.S.A. Medical, LLC, for service.
Handpiece stops during use.	Battery pack is discharged.	Charge or replace battery.
	Circuit protection is activated due to excessive loading.	Release trigger to reset circuit protection.
Handpiece runs after trigger is released.	Trigger is malfunctioning.	Send handpiece to Brasseler U.S.A. Medical, LLC, for service.
Handpiece will not accept or retain saw blade.	Incorrect blade used.	Use only BUSA® saw blades.
	Blade collet nut was not fully rotated prior to inserting blade.	See saw blade installation and removal. If condition continues, send handpiece to Brasseler U.S.A. Medical, LLC, for service.

## Troubleshooting (continued)

Symptom	Potential Cause	Solution
Saw blade cannot be removed.	Blade is worn or damaged.	Send handpiece to Brasseler U.S.A. Medical, LLC, for service.
	Blade collet nut is not fully in the open position.	See saw blade installation and removal. If condition continues, send handpiece to Brasseler U.S.A. Medical, LLC, for service.
Sternum saw guard cannot be installed onto handpiece.	Guard support strut is bent.	Send guard to Brasseler U.S.A. Medical, LLC, for service.
	Guard quick connect collar was not retracted while installing guard.	Retract guard collar while installing guard.
Difficulty/Cannot remove sternum saw guard from handpiece.	There is debris in the quick connect collar.	See cleaning recommendations.If condition continues, send handpiece and attachment to Brasseler U.S.A. Medical, LLC, for service.
	Guard quick connect was not fully retracted.	Retract guard fully to the open position to remove guard
	Guard quick connect collar is damaged.	Send handpiece and attachment to Brasseler U.S.A. Medical, LLC, for service.
Battery pack will not connect properly to handpiece.	There is debris in the battery receptacle.	See cleaning recommendations.
	Battery pack contacts are damaged.	Replace battery pack.
	Battery pack latch is damaged.	Replace battery pack.
	Battery receptacle is damaged.	Send handpiece to Brasseler U.S.A. Medical, LLC, for service.
Battery pack cannot be removed from handpiece.	Battery pack latch is damaged.	Send handpiece and battery pack to Brasseler U.S.A. Medical, LLC, for service.
	Handpiece battery receptacle is damaged.	Send handpiece and battery pack to Brasseler U.S.A. Medical, LLC, for service.

## Care & Maintenance

---

BUSA® Surgical Power & Accessories recommends that all BSPMAX™ II components (handpieces, attachments and accessories excluding battery packs) be returned to Brasseler U.S.A. Medical, LLC, Service Department for routine preventative maintenance every twelve (12) months.

Follow a regular care regimen that includes routine cleaning and a thorough inspection for damage. Routine preventive maintenance performed every twelve (12) months by the Brasseler U.S.A. Medical, LLC, Service Department can increase the reliability and extend the life of your BSPMAX™ II Large Bone Power System.

---

### ***Checklist:***

- Inspect all BSPMAX™ II components (handpieces, attachment and accessories) to verify all components are present.
  - Ensure all handpieces, attachments and accessories have been properly cleaned as outlined in the Cleaning Recommendations section.
  - Inspect all devices for proper set up and operation.
  - Ensure the battery pack installs properly onto the handpiece.
  - Ensure the saw blade installs properly.
  - Ensure the sternum saw guard installs properly.
  - Ensure there are no loose or missing components.
  - Ensure there are no cracks in the battery pack case.
  - Test\* the handpiece and battery pack to ensure that they are working properly.
  - Check all moving parts for free movement.
  - Check for unusual sounds or vibrations.
  - Check for proper operating speed.
  - If the recommended solutions provided in the Troubleshooting section do not solve problem(s), send the device(s) to Brasseler U.S.A. Medical, LLC, Service Department as outlined in the Repair Service section.
  - Remove battery pack from handpiece when test is completed.
- \* This maintenance test may be completed under non-sterile conditions with a battery pack that has not been sterilized.

## **Cleaning Recommendations**

---

### ***Warnings:***

---

- Clean and sterilize handpieces, attachments, battery packs and accessories before every use.
- DO NOT sterilize 4-Bay Power Unit, Charging Bay Cover and Charging Bay.
- Prior to cleaning and sterilization, remove attachment, saw blade and battery pack from the handpiece.
- DO NOT use solvents, lubricants, or other chemicals, unless otherwise specified.

### ***Cautions:***

---

- Follow universal precautions and protective apparel when handling and cleaning contaminated instruments.
- Dispose of all saw blades properly after each use.
- DO NOT lubricate handpieces or attachment.
- DO NOT immerse handpieces, attachment and battery packs in liquid. Contaminants will enter the equipment and damage the device.
- DO NOT clean handpieces, attachment or battery packs in an automated washer or ultrasonic cleaner.
- DO NOT clean handpieces with bleach, chlorine-based detergents, liquid or chemical disinfectants, or any products containing sodium hydroxide (e.g. INSTRU-KLENZ® or Buell® Cleaner). They will degrade the anodized aluminum coating.

### ***Cleaning Procedures:***

---

1. Remove battery pack, attachment and saw blade from the handpiece.
2. Scrub debris from the handpiece using a brush with stiff, non-metallic bristles and mild, pH balanced enzymatic cleaner. Manipulate all moving parts of the handpiece to ensure all debris is removed.
3. Rinse all external surfaces of the handpiece under running tap water. Hold the handpiece upright to prevent water from running into the battery receptacle.
4. If water leaks into the handpiece, hold the handpiece upright to allow drainage from the battery receptacle area.
5. Visually inspect the handpiece for any remaining debris. If any debris is present, repeat the cleaning and rinsing procedure.
6. Gently shake the handpiece free of water.
7. Dry the handpiece with a clean lint-free soft cloth.
8. Inspect handpiece for damage and malfunctioning. Return damaged components to Brasseler U.S.A. Medical, LLC, Service Department.
9. Place handpieces, attachment into designated locations in the tray and place tray into sterilization case. Fasten sterilization case lid.
10. Sterilize as directed. See Sterilization Recommendations section.



## Sterilization Recommendations

---

Steam sterilization has been found both safe and effective for the sterilization of BUSA® BSPMAX™ II Large Bone Power System handpieces, attachments and battery packs. The instruments are capable of withstanding the recommended exposure times and temperatures of steam sterilization.

### *Warnings:*

---

- The use of disinfecting solutions for an exterior instrument wipe will not sterilize equipment and is not recommended.

### *Cautions:*

---

- DO NOT sterilize handpieces with Ethylene Oxide (ETO).
- DO NOT sterilize handpieces in a STERIS® System, STERRAD® System or comparable sterilization methods.
- DO NOT sterilize handpieces in cold sterilization like CIDEX®.
- DO NOT “peel pack” handpieces or attachments for sterilization. Sterilization in a sealed pouch traps moisture which can cause damage.
- DO NOT sterilize battery pack while connected to the handpiece.
- Do not Flash Sterilize. It can decrease the life of the device and may cause premature failure of the device. Flash sterilization will void the warranty.

### *Notes:*

---

- These processes have been validated as being capable of cleaning and sterilizing the BSPMAX™ II Reciprocator/Sternum Saw.
- The sterilizer manufacturer’s written instruction for cycle parameters, load configuration and AAMI guidelines for steam sterilization should be followed.

## Sterilization Recommendations (continued)

---

### Parameters for Sterilizing BSPMAX™ II Reciprocator/Sternum Saw

---

Sterilization Type	Minimum Temperature	Minimum Exposure Time	Dry Time
Pre Vacuum (Wrapped)	270° F (132° C)	4 Minutes	15-30 Minutes
Pre Vacuum (Wrapped)	273° F (134° C)	3 Minutes	15-30 Minutes
Gravity (Wrapped)	250° F (121° C)	100 Minutes	15-30 Minutes
Gravity (Wrapped)	270° F (132° C)	60 Minutes	15-30 Minutes

### To Sterilize Battery Packs

---

See instructions for use provided with battery packs.

# Specifications

## 1. Performance

**With 9.6V Battery Pack  
PM-X00-710**

**With 12V Battery Pack  
PM-X00-715**

Speed Range	0 – 14,000 cpm	0 – 17,000 cpm
Stroke Length	0.125" (3.2 mm)	
Duty Cycle	1 minute ON/ 5 minutes OFF, 5 times with a 3 hour rest	
Electrical Safety	Internally powered equipment.	

## 2. Physical Characteristics

Size (L x W x H)	7 x 1.25 x 5.9 in (178 x 32 x 150 mm)
Weight	2.0 lbs. (0.9 kg)

## 3. Environmental Requirements

### Operating:



- Ambient temperature : 50°F to 70°F (10°C to 21°C)
- Relative Humidity 30% - 75%
- Atmospheric Pressure: 700hPa to 1060hPa

### Transport :



- Ambient temperature : -4°F to 158°F (-20°C to 70°C)
- Relative Humidity 10% - 100%
- Atmospheric Pressure: 500hPa to 1060hPa

## Specifications (continued)


### 4. Electromagnetic Compatibility Requirements

#### Guidance and Manufacturer's Declaration – Electromagnetic Emissions

<p>The BSPMAX™ II handpiece is intended for use in the electromagnetic environment specified below. The user of the BSPMAX™ II handpiece should assure that it is used in such an environment.</p>		
Emissions test	Compliance	Electromagnetic environment - guidance
RF emissions CISPR 11	Group 1	The BSPMAX™ II handpiece uses RF energy only for its internal function. Therefore its RF emissions are very low and are not likely to cause any interference in nearby electronic equipment.
RF emissions CISPR 11	Class B	The BSPMAX™ II handpiece is suitable for use in all establishments, including domestic establishments and those directly connected to the public low voltage power supply network that supplies buildings used for domestic purposes.
Harmonic emissions IEC 61000-3-2	N/A	
Voltage fluctuations Flicker emissions IEC 61000-3-3	N/A	

## Specifications (continued) 4. Electromagnetic Compatibility Requirements continued

### Guidance and Manufacturer's Declaration – Electromagnetic Emissions

Immunity test	IEC 60601 test level	Compliance level	Electromagnetic environment - guidance
<p>Conducted RF IEC 61000-4-6</p> <p>Radiated RF IEC 61000-4-3</p>	<p>3 Vrms 150 KHz to 80 MHz</p> <p>3 V/m 80MHz to 2.5 GHz</p>	<p>N/A N/A</p> <p>3 V/m 80 MHz to 2.5 GHz</p>	<p>Portable and mobile RF communications equipment should be used no closer to any part of the BSPMAX™ II handpiece, including cables, than the recommended separation distance calculated from the equation applicable to the frequency of the transmitter.</p> <p>Recommended separation distance</p> $d=1.67\sqrt{P}$ <p>80 MHz to 800 MHz</p> $d=2.33\sqrt{P}$ <p>800 MHz to 2.5 GHz</p> <p>Where P is the maximum output power rating of the transmitter in watts (W) according to the transmitter manufacturer and d is the recommended separation distance in meters (m)</p> <p>Interference may occur in the vicinity of equipment marked with the following symbol:</p> 

**NOTE 1:** At 80MHz and 800MHz the higher frequency range applies.

**NOTE 2:** These guidelines may not apply in all situations. Electromagnetic propagation is affected by absorption and reflection from structures, objects and people.

## Specifications (continued) 4. Electromagnetic Compatibility Requirements continued

### Guidance and Manufacturer's Declaration – Electromagnetic Emissions

The BSPMAX™ II handpiece is intended for use in the electromagnetic environment specified below. The user of the BSPMAX™ II handpiece should assure that it is used in such an environment.			
Immunity test	IEC 60601 test level	Compliance level	Electromagnetic environment - guidance
Electrostatic discharge (ESD) IEC 61000-4-2	±6 KV contact ±8 KV air	±2, 4, 6 KV contact  ±2, 4, 8 KV air	Floors should be wood, concrete or ceramic tile. If floors are covered with synthetic material, the relative humidity should be at least 30%
Electrical fast transient/burst IEC 61000-4-4	±2 KV for power supply lines  ±1 KV for input/output lines	n/a  n/a	
Surge IEC 61000-4-5	±1 KV differential mode  ±2 KV common mode	n/a n/a	

## Specifications (continued) 4. Electromagnetic Compatibility Requirements continued

### Guidance and Manufacturer's Declaration – Electromagnetic Emissions

Immunity test	IEC 60601 test level	Compliance level	Electromagnetic environment - guidance
Voltage dips, short interruptions and voltage variations on power supply input lines IEC 61000-4-11	<5% $U_T$ (>95% dip in $U_T$ ) For 0.5 cycle	n/a	
	40% $U_T$ (60% dip in $U_T$ ) For 5 cycles	n/a	
	70% $U_T$ (30% dip in $U_T$ ) For 25 cycles	n/a	
	<5% $U_T$ (>95% dip in $U_T$ ) For 5 sec	n/a	
Power frequency (50/60Hz) Magnetic field IEC 61000-4-8	3 A/m	3 A/m	Power frequency magnetic fields should be at levels characteristic of a typical location in a typical commercial or hospital environment.

**NOTE 1:**  $U_T$  is the alternating current mains voltage prior to application of the test level.

## Specifications (continued) 4. Electromagnetic Compatibility Requirements continued

### Guidance and Manufacturer's Declaration – Electromagnetic Emissions

Recommended separation distances between portable and RF communications equipment and the BSPMAX™ II handpiece.			
The BSPMAX™ II handpiece is intended for use in the electromagnetic environment in which radiated RF disturbances are controlled. The user of the BSPMAX™ II handpiece can help prevent electromagnetic interference by maintaining a minimum distance between portable and mobile RF communications equipment (transmitters) and the BSPMAX™ II handpiece as recommended below, according to the maximum output power of the communications equipment.			
Related maximum output power of transmitter  W	Separation distance according to frequency of transmitter  m		
	150 KHz to 80 MHz $d=[\frac{3.5}{E_f}] \sqrt{P}$	80 MHz to 800 MHz $d=[\frac{3.5}{E_f}] \sqrt{P}$	800 MHz to 2.5 GHz $d=[\frac{7}{E_f}] \sqrt{P}$
0.01	n/a	0.12	0.23
0.1	n/a	0.37	0.74
1	n/a	1.17	2.33
10	n/a	3.70	7.37
100	n/a	11.70	23.30

For transmitters rated at a maximum output power not listed above, the recommended separation distance in meters (m) can be estimated using the equation applicable to the frequency of the transmitter, where P is the maximum output power rating of the transmitter in watts (W) according to the transmitter manufacturer.

**NOTE 1:** At 80 MHz and 800 MHz, the separation distance for the higher frequency range applies.

**NOTE 2:** These guidelines may not apply in all situations. Electromagnetic propagation is affected by absorption and reflection from structures, objects and people.



## Repair Service

---

Contact your distributor for details regarding repairs.

BUSA® Surgical Power & Accessories recommends that the BSPMAX™ II handpieces, attachments and accessories (excluding battery packs) be returned to Brasseler U.S.A. Medical, LLC, Service Department for routine preventive maintenance every twelve (12) months. Follow a regular care regimen that includes routine cleaning after each use, strict adherence to sterilization recommendations and a thorough inspection for damage of all devices after each use. Routine preventive maintenance performed by the Brasseler U.S.A. Medical, LLC, Service Department can increase the reliability and extend the life of your BSPMAX™ II Large Bone Power System.

BUSA® Surgical Power & Accessories warrants any service or repair work performed will be free from defects in material or workmanship for the period of ninety (90) days from date of service or repair. This warranty applies to the actual work performed.

Products must be decontaminated and sterilized before returning.

***Note: It is unlawful to ship contaminated non-sterilized products.***

Contact a Customer Service Representative at BUSA® Surgical Power & Accessories at 877-834-7133 to request repair, preventive maintenance, or a loaner instrument. If available, loaner instruments will be supplied in accordance with the BUSA® Surgical Power & Accessories Loaner Program.

Please include the following information with the returned product(s):

- Indicate on the paperwork or the box the designated call ID number.
- When returning products from outside the U.S. please indicate on shipping documents per Customs requirements the following: "U.S. manufactured goods returned for factory service/repair".
- Catalog number, serial number and lot number (if applicable) of device.
- Customer name, address and account number.
- Itemized packing list.
- Brief statement describing reason for product repair or requesting preventive maintenance.

## **Repair Service (continued)**

---

*Return to:*

*Brasseler U.S.A. Medical, LLC*

*4837 McGrath Street*

*Ventura, CA 93003*

## **Warranty**

---

Contact your distributor for details regarding warranty.

## **Return Goods Policy**

---

Contact your distributor regarding returned goods policy.

## Product Disposal

---

Dispose of product or recycle in accordance with local laws and regulations.

## Product Ordering Information

---

### **HANDPIECES**

PM-X08-700	MODULAR DRILL/REAMER
PM-X12-700	SAGITTAL/OSCILLATOR SAW
PM-X14-700	RECIPROCATOR/STERNUM SAW

### **ATTACHMENTS - DRIVERS**

PM-X08-701	PIN DRIVER
PM-X08-702	WIRE DRIVER

### **ATTACHMENTS - DRILLS**

PM-X08-905	TRINKLE/AO®
PM-X08-910	1/4 IN JACOBS® CHUCK W/ KEY
PM-X08-915	5/32 IN JACOBS® CHUCK W/ KEY
PM-X08-920	HUDSON®
PM-X08-925	ZIMMER®
PM-X08-930	1/4 IN KEYLESS CHUCK
PM-X08-935	3 MM KEYLESS CHUCK
PM-X08-940	ZHS - ZIMMER®/HUDSON®/STRYKER® UNIVERSAL

### **ATTACHMENTS - REAMERS**

PM-X08-911	1/4 IN JACOBS® HI TORQUE W/ KEY - EXTENDED LENGTH
PM-X08-950	HUDSON® - EXTENDED LENGTH
PM-X08-955	ZIMMER® - EXTENDED LENGTH
PM-X08-960	AO® - EXTENDED LENGTH
PM-X08-965	ZHS - ZIMMER®/HUDSON®/STRYKER® UNIVERSAL - STANDARD LENGTH
PM-X08-970	1/4 IN JACOBS® HI TORQUE W/ KEY - STANDARD LENGTH

### **ATTACHMENT - STERNUM SAW GUARD**

PM-X14-901	STERNUM SAW GUARD
------------	-------------------

### **ACCESSORIES**

PM-X00-520	4-BAY POWER UNIT 110V
PM-X00-521	CHARGING BAY COVER
PM-X00-522	4 BAY POWER UNIT 230V
PM-X00-710	9.6V BATTERY PACK
PM-X00-715	12V BATTERY PACK
PM-X00-731	STANDARD BATTERY PACK CHARGING BAY
PM-X00-770	STERILIZATION CASE – 3 HANDPIECES
PM-X08-000	1/4 IN JACOBS® CHUCK KEY
PM-X08-001	5/32 IN JACOBS® CHUCK KEY

BUSA® SURGICAL POWER & ACCESSORIES OFFERS A COMPLETE LINE OF CUTTING ACCESSORIES (SAW BLADES/RASPS, BURS, K-WIRES, STEINMANN PINS, TWIST DRILLS AND ORTHOPAEDIC PIN PACKS).









Brasseler U.S.A. Medical, LLC  
One Brasseler Boulevard • Savannah, GA 31419  
800-569-6738 Ext. 7050 • 912-921-7578 (fax)  
BUSAMedical.com

Emergo Europe  
Molenstraat 15  
2513 BH The Hague  
The Netherlands  
Tel: +31 (0) 70-345-8570  
Fax: +31 (0) 70-346-7299

Brasseler U.S.A. Medical, LLC, has implemented a quality management system that is certified under ISO 13485:2003. AO® is a registered trademark of AO Technology AG. Buell® is a registered trademark of Polychem® Corporation. CIDEX® and STERRAD® are registered trademarks of Advanced Sterilization Products®, Division of Ethicon, Inc., a Johnson & Johnson Company. Hudson® is a registered trademark of Hudson Industries, Inc. Instru-Klenz® and STERIS® are registered trademarks of STERIS® Corporation. Jacobs® is a registered trademark of Jacobs Chuck Manufacturing Company. Stryker® is a registered trademark of Stryker Corporation. Zimmer® is a registered trademark of Zimmer, Inc. Brasseler U.S.A. Medical, LLC, is not affiliated with any of the above and makes no claim to copyrights or trademarks which are the property of these companies. BUSA® and BSPMAX™ are trademarks of Peter Brasseler Holdings, LLC, or its affiliates. All other trademarks are trademarks of their respective owners or holders. Colors, specifications and product availability subject to change. BUSA® Surgical Power & Accessories products are sold by Brasseler U.S.A. Medical, LLC, One Brasseler Boulevard, Savannah, Georgia 31419, United States.